



WWW.BARRYIND.COM

RM3725ZZ-XXXXWN-YY*

CHIP RESISTOR

Features:

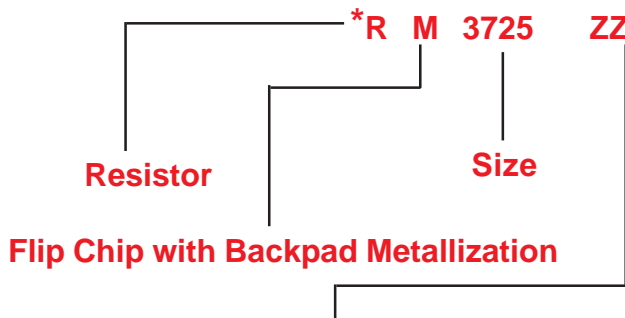
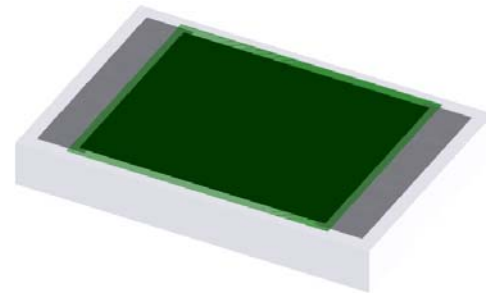
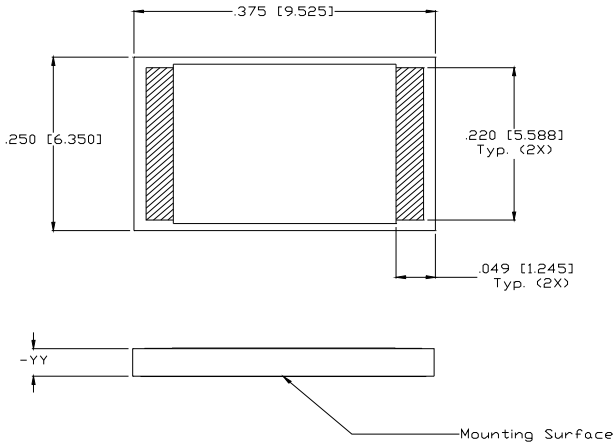
- ◆ 150 Watt Input Power
- ◆ Flip Chip with Backpad Metallization
- ◆ Surface Mountable

General Description:

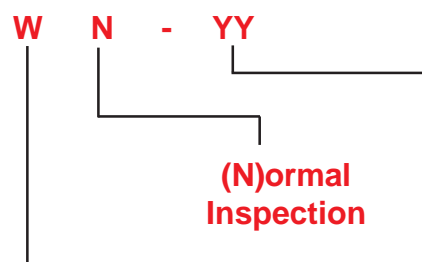
The RM3725ZZ-XXXXWN-YY* series is a chip resistor with backpad metallization. It has an input power of 150 watts, while maintaining a constant mounting surface temperature of 100°C. It offers standard resistance values of 50 and 100 ohms. Other resistance values also available.

** See below for ordering options.*

Sample Part Number:
RM3725CT-1000JN-99
(100 ohms)



Ohms	
0.5	R500
1	1R00
10	10R0
50	50R0
100	1000
150	1500
1K	1001
10K	1002
100K	1003
470K	4703
1M	1004



Termination Material and Finish

- CB** - available on AlN & BeO:
Tin Lead over Nickel over Silver, Solder Mount, NOT RoHS
- CT** - available on AlN & BeO:
Matte Tin over Nickel over Silver, Solder Mount, **RoHS Compliant**
- HA** - available on BeO:
Gold over Platinum Gold, I/O with Platinum Gold Ground,
Epoxy Mount, Wire Bond(I/O), Solder (GND) **RoHS Compliant**
- JA** - available on BeO:
Gold over Platinum Gold, Epoxy Mount, Wire Bond, **RoHS Compliant**

Tolerance

- F - 1%
- G - 2%
- J - 5%
- K - 10%
- L - 20%
- X = Special

Thickness and Material

- 99..... .040" BeO
- 9F..... .060" BeO
- 2T..... .040" ALN

Barry Industries reserves the right to change part number and or process without notification.

Barry Industries, Inc., 60 Walton St., Attleboro, MA 02703 T: 508-226-3350 F: 508-226-3317 E-mail: ABSales@Vishay.com

Barry Industries maintains an ISO 9001 Certified Quality Management System

Origination Date	Revision Date	Rev.
01/24/13	01/24/13	-